

FAG

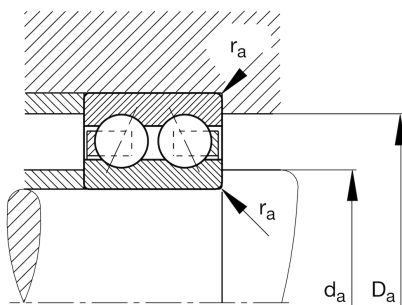
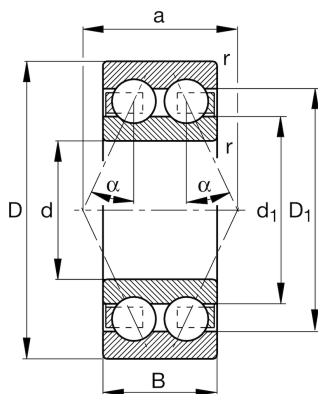
**3202-BD-XL**

Angular contact ball bearing

Schaeffler ID:  
0709102270000Angular contact ball bearing 32..-BD-XL,  
double row, X-life, steel sheet metal cage

X-life

## Technical information



## Main Dimensions &amp; Performance Data

d	15 mm	Bore diameter
D	35 mm	Outside diameter
B	15,9 mm	Width
$C_r$	12.600 N	Basic dynamic load rating, radial
$C_{0r}$	7.400 N	Basic static load rating, radial
$C_{ur}$	520 N	Fatigue load limit, radial
$n_G$	22.300 1/min	Limiting speed
$n_{gr}$	18.500 1/min	Reference speed
	0,066 kg	Weight

## Dimensions

$r_{min}$	0,6 mm	Minimum chamfer dimension
$D_1$	29,3 mm	Shoulder diameter outer ring
$d_1$	22,2 mm	Shoulder diameter inner ring
a	20,7 mm	Distance between the apexes of the pressure cones
$\alpha$	30 °	Contact angle

## Mounting dimensions

$d_{a min}$	19,2 mm	Minimum diameter shaft shoulder
$D_{a max}$	30,8 mm	Maximum diameter of housing shoulder
$r_{a max}$	0,6 mm	Maximum fillet radius

## Temperature range

$T_{min}$	-30 °C	Operating temperature min.
$T_{max}$	120 °C	Operating temperature max.